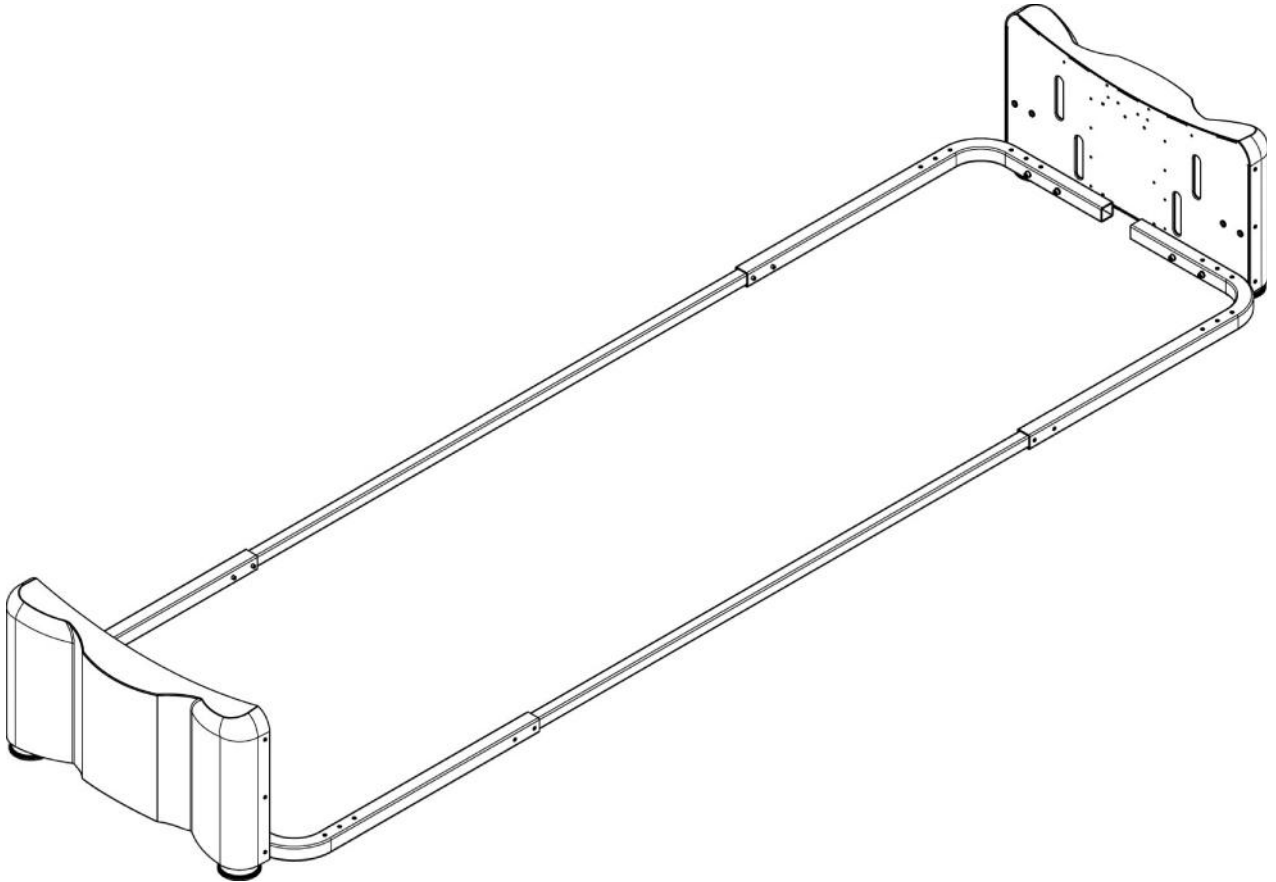


# **D-BOX**

## **SRP-130 / SRP-230 / SRP-330**



## **INSTALLATION GUIDE**

Technical Support : 1-888-442-3269 ext. 264

Fax : 450-442-3230

E-mail : [techsupport@d-box.com](mailto:techsupport@d-box.com)

Visit us at: [www.d-box.com](http://www.d-box.com)

## TABLE OF CONTENTS

Important safety instructions	3
Contents	4
Assembly plan	5
Step 1 / Measurements of your loveseat or small couch	6
Step 2 / Required length for the adjustment bars	6
Step 3 / Cutting formula for linear adjustment bars	6
Step 4 / Insertion of linear adjustment bars	7
Step 5 / Securing the linear adjustment bars	7
Step 6 / Installation of the two modules	8
Step 7 / Cabling instructions	8
Step 8 / Installation of the four cups	9
Step 9 / Installation of SRP frame on loveseat or small couch	9

WARNING: DO NOT USE ANY ATTACHMENTS THAT ARE NOT RECOMMENDED BY THE MANUFACTURER, AS THEY MAY CAUSE DAMAGE OR MALFUNCTIONS.

## IMPORTANT SAFETY INSTRUCTIONS

1. Read these instructions.
2. Keep these instructions.
3. Heed all warnings.
4. Follow all instructions.
5. Do not use this apparatus near water.
6. Clean only with dry cloth.
7. Do not block any ventilation openings. Install in accordance with the manufacturer's instructions.
8. Do not install near any heat sources such as radiators, heat registers, stoves, or other apparatus (including amplifiers) that produce heat.
9. Do not defeat the safety purpose of the polarized or grounding-type plug. A polarized plug has two blades with one wider than the other. A grounding type plug has two blades and a third grounding prong. The wide blade or the third prong are provided for your safety. If the provided plug does not fit into your outlet, consult an electrician for replacement of the obsolete outlet.
10. Protect the power cord from being walked on or pinched particularly at plugs, convenience receptacles, and the point where they exit from the apparatus.
11. Only use attachments/accessories specified by the manufacturer.
12. Use only with the cart, stand, tripod, bracket, or table specified by the manufacturer, or sold with the apparatus. When a cart is used, use caution when moving the cart/apparatus combination to avoid injury from tip-over.
13. Unplug this apparatus during lightning storms or when unused for long periods of time.
14. Refer all servicing to qualified service personnel. Servicing is required when the apparatus has been damaged in any way, such as power-supply cord or plug is damaged, liquid has been spilled or objects have fallen into the apparatus, the apparatus has been exposed to rain or moisture, does not operate normally, or has been dropped.
15. Do not expose this apparatus to dripping or splashing and ensure that no objects filled with liquids, such as vases, are placed on the apparatus.
16. To completely disconnect this apparatus from the AC Mains, disconnect the power supply cord plug from the AC receptacle.
17. The mains plug of the power supply cord shall remain readily operable.
18. Do not expose batteries to excessive heat such as sunshine, fire or the like.



The lightning flash with arrowhead symbol within an equilateral triangle is intended to alert the user to the presence of uninsulated "dangerous voltage" within the product's enclosure that may be of sufficient magnitude to constitute a risk of electric shock to persons.



The exclamation point within an equilateral triangle is intended to alert the user to the presence of important operating and maintenance (servicing) instructions in the literature accompanying the product.



This symbol indicates that you must communicate with the manufacturer for disposal of the equipment.

**WARNING :** To reduce the risk of fire or electric shock , do not expose this apparatus to rain or moisture .

# CONTENTS

**DETAILS :**

100-0356 : SCREW, SOCK.HEAD, CAP, 1/4-20 X 2  
 100-0456: SCREW, PANH, PHIL, WOOD, #12 X 2 L  
 190-0019: KEY, ALLEN, 1/8

100-0659: SCREW, SET, SOCK.HD, CUP, 1/4-20 X 3/8  
 102-0050: WASHER, LOCK, 1/4, REG, BLK ZN  
 190-0015: KEY, ALLAN, 3/16



8 x (100-0356)



8 x (100-0659)



8 x (100-0456)



8 x (102-0050)



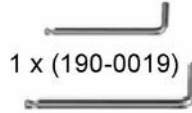
1 x (092-0013 10'  
 et 1 x (092-0014) 50'



2 x (093-0004) 6'

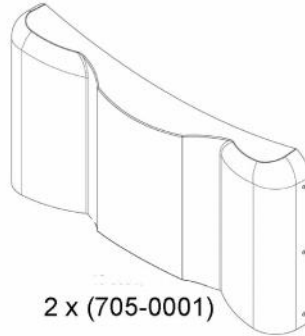


4 x (810-0002)

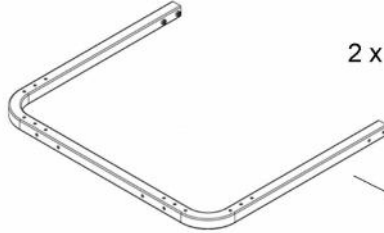


1 x (190-0019)

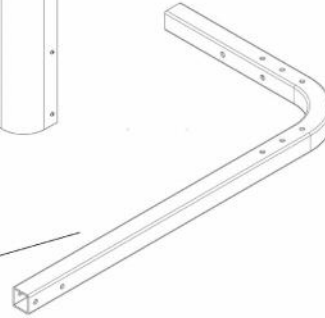
1 x (190-0015)



2 x (705-0001)

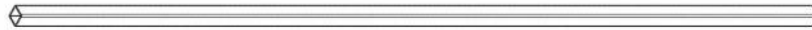


SRP-130: 2 x (134-0052)  
 SRP-230 / SRP-330: 2 x (134-0036)



4 x (134-0048)

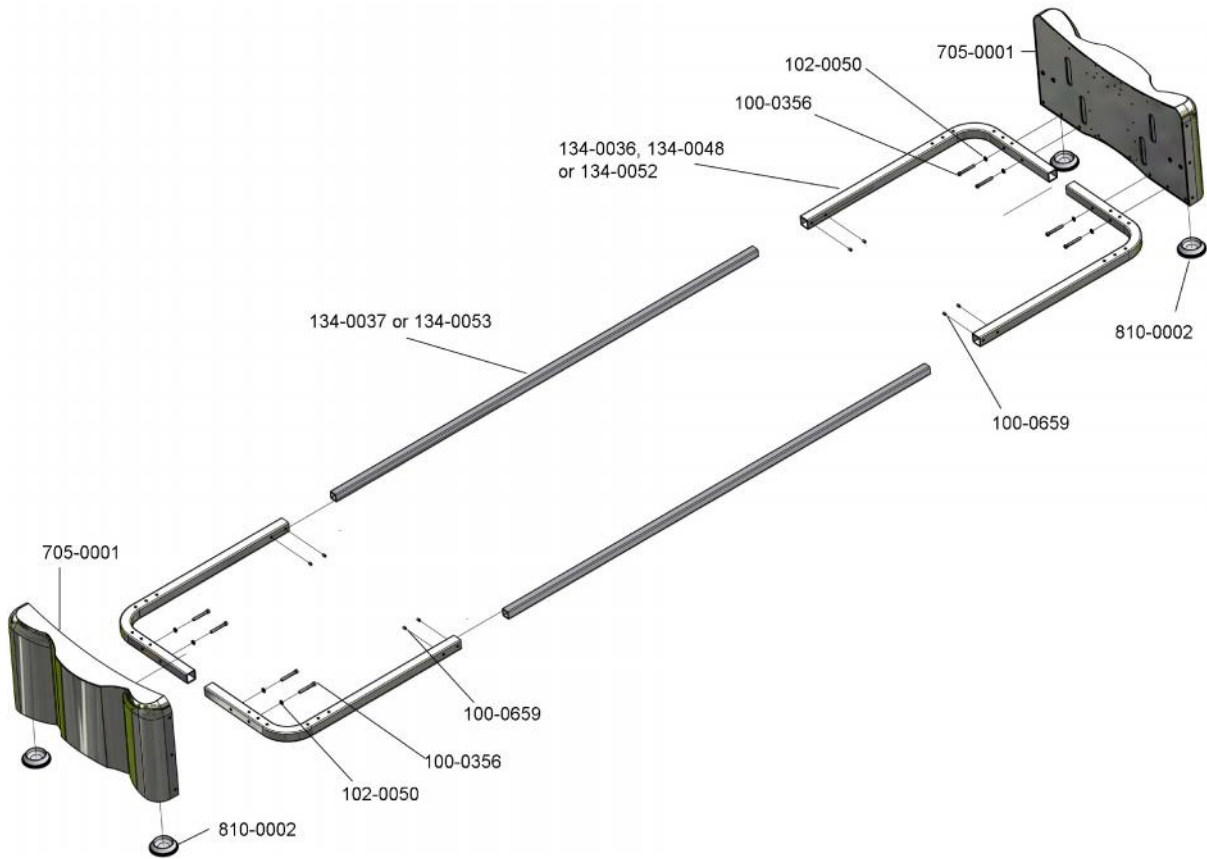
OU



SRP-130: 2 x (134-0053)  
 SRP-230 / SRP-330: 2 X (134-0049)

NOTE: DRAWINGS USED IN THE PRESENT GUIDE ARE THE "L" SHAPED BARS.

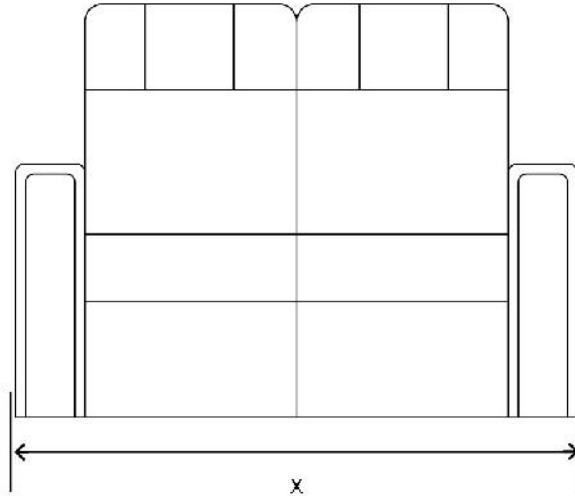
# ASSEMBLY PLAN



NOTE: WHEN ASSEMBLING, ONLY HAND-TIGHTEN THE SCREWS. WHEN YOU ARE CERTAIN THAT THE PROPER ADJUSTMENTS HAVE BEEN MADE, SECURELY TIGHTEN ALL SCREWS.

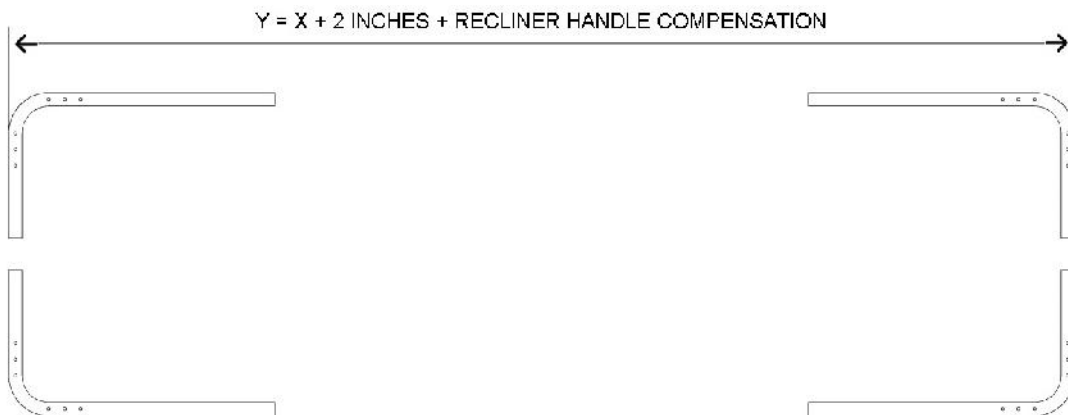
### STEP 1

Measure the length of your loveseat or small couch. SRP-230 AND SRP-330 (minimum 50 inches / maximum 80 inches) SRP-130 (minimum 28 inches / maximum 49 inches)



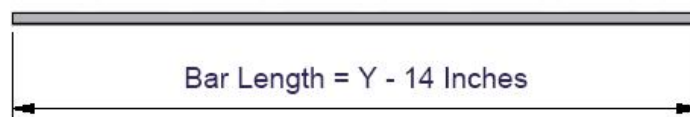
### STEP 2

Calculate the required length for the linear adjustment bars for the installation of the SRP frame on your loveseat or small couch. The diagram below illustrates how the length should be calculated. Take the width of your loveseat or small couch (X) measured in Step 1 and add 2 inches of leeway. If your seat has an external manual recliner handle, calculate the extra width to account for the recliner handle.



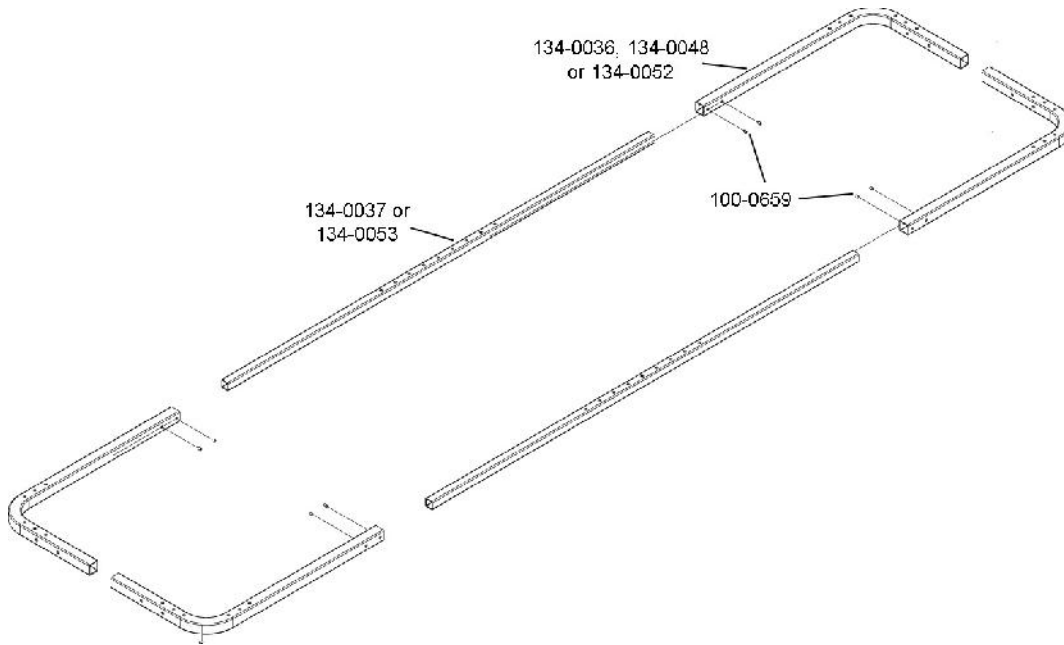
### STEP 3

Cut the linear adjustment bar (134-0037), with a metal saw, using the formula below. Use the same formula to cut the second linear adjustment bar.



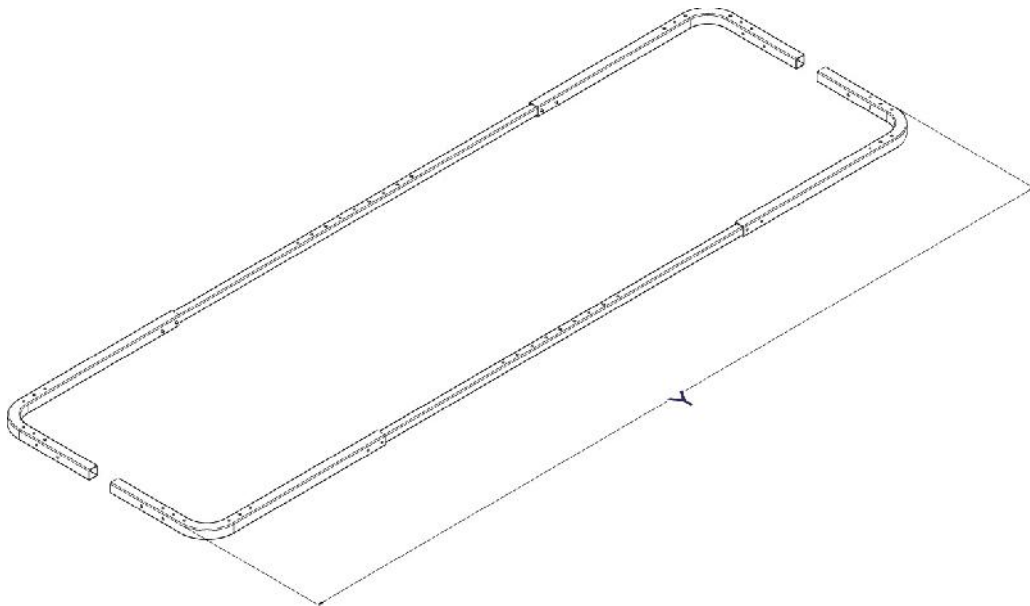
#### STEP 4

Lay the "L" or "U" shaped bars on the floor and insert the two linear adjustment bars into them. Make sure the holes in the linear bar are facing up and down for step 9.



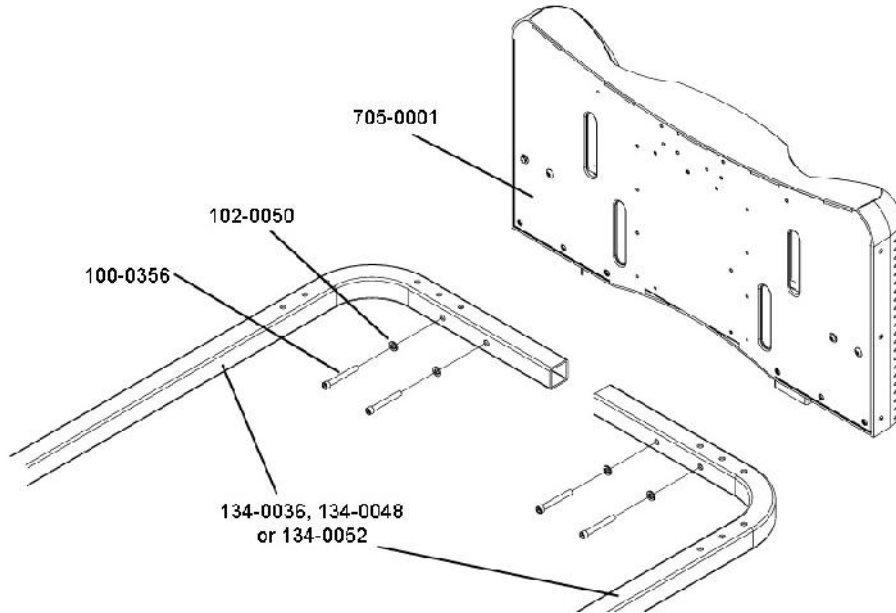
#### STEP 5

Secure the two linear adjustment bars using the 8 saddle clamping screws (100-0659) with the 1/8" Allen key (190-0019). Make sure the two bars (134-0037) are inserted equally into the "L" or "U" shaped bars (134-0048 or 134-0036), and that their determined length (Y) is respected (see Step 2).



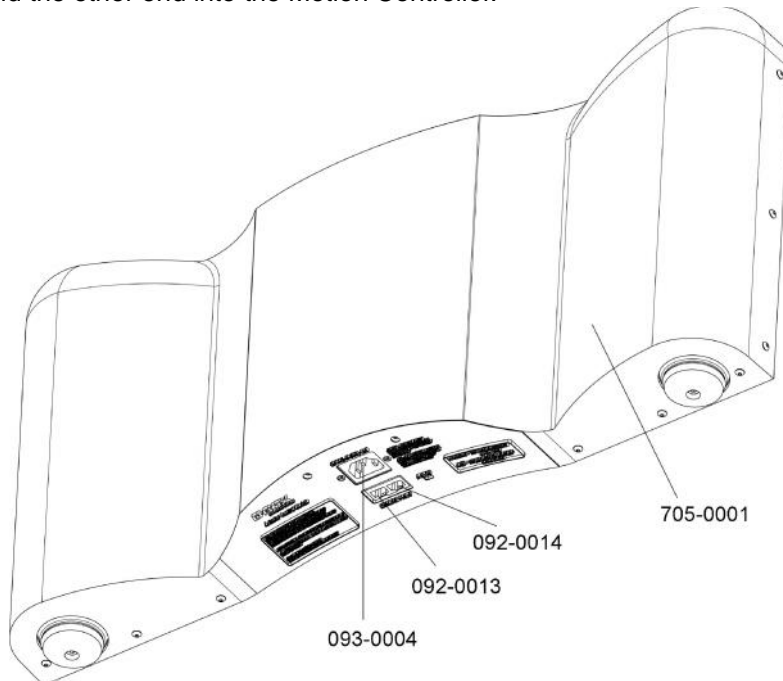
### STEP 6

Install the two modules (705-0001) onto each of the “L” or “U” shaped bars (134-0048, 134-0036 or 134-0052) using screws (100-0356) and lock washer (102-0050). Use the 3/16” Allen key (190-0015) to secure the modules.



### STEP 7

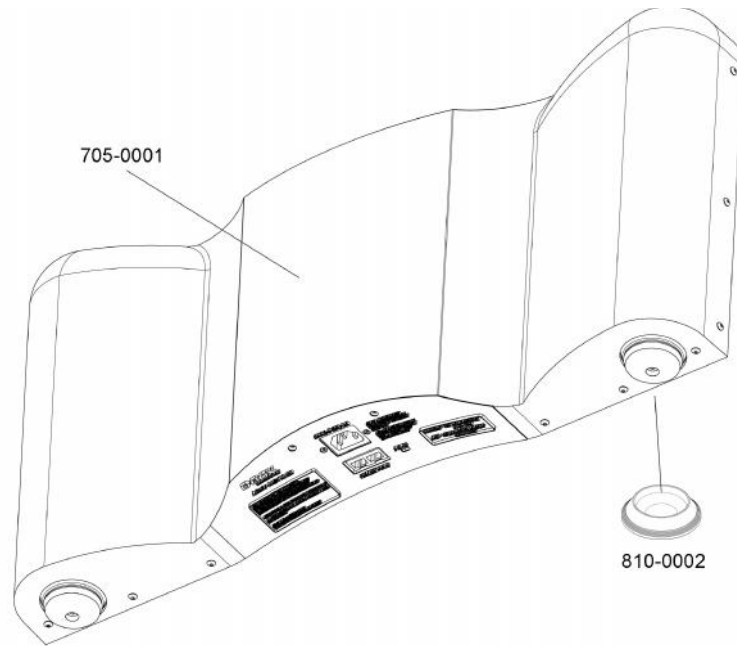
Connect the two modules (705-0001) using the 10' CAT5 cable (092-0013). Plug a power cable (093-0004) into each of the two modules (705-0001) and plug the other end of each cable into a 110V/15A power outlet. Connect one end of the 50' CAT5 cable (092-0014) into either one of the modules and the other end into the Motion Controller.





### STEP 8

Install the four cups (810-0002) under each leg of the two modules (705-0001).



### STEP 9

Position your loveseat or small couch sideways and install the SRP frame onto it using the wood screws (100-0456) and phillips head screwdriver (not provided). Make sure you align the holes on the frame with solid material on the underside of your loveseat or small couch (usually on the sides where the armrests are located). The holes in the SRP frame are located on the sides. If needed, use a drill (not provided) to make new holes to secure the frame.

